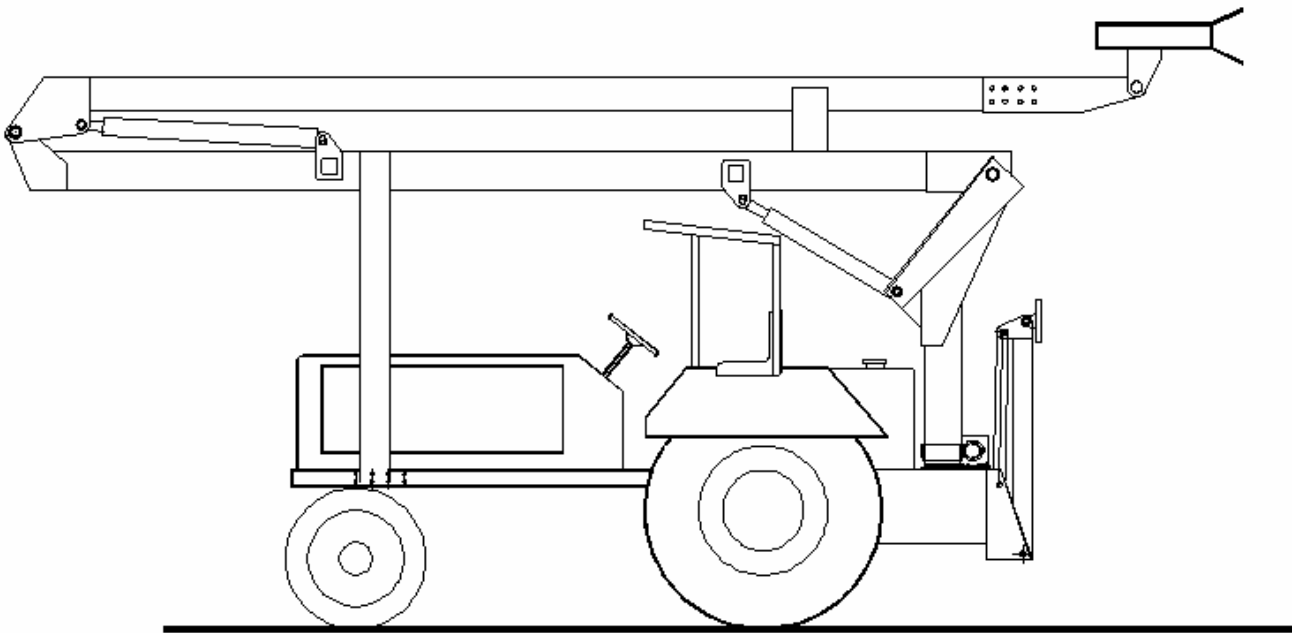


Live Line Insulator Tractor washer

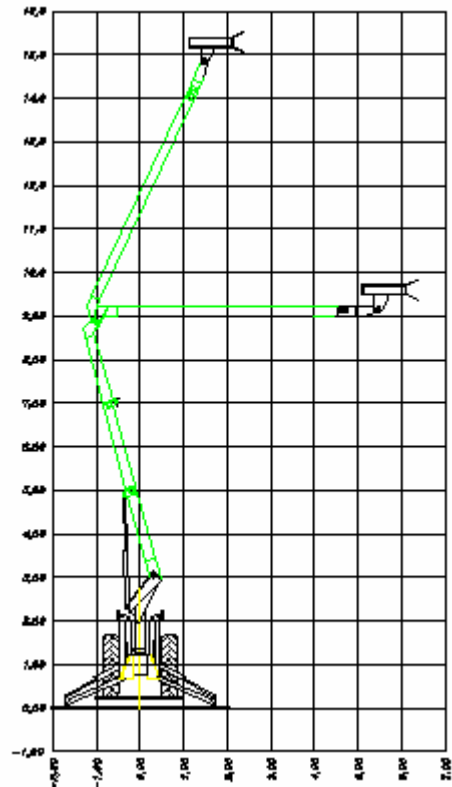
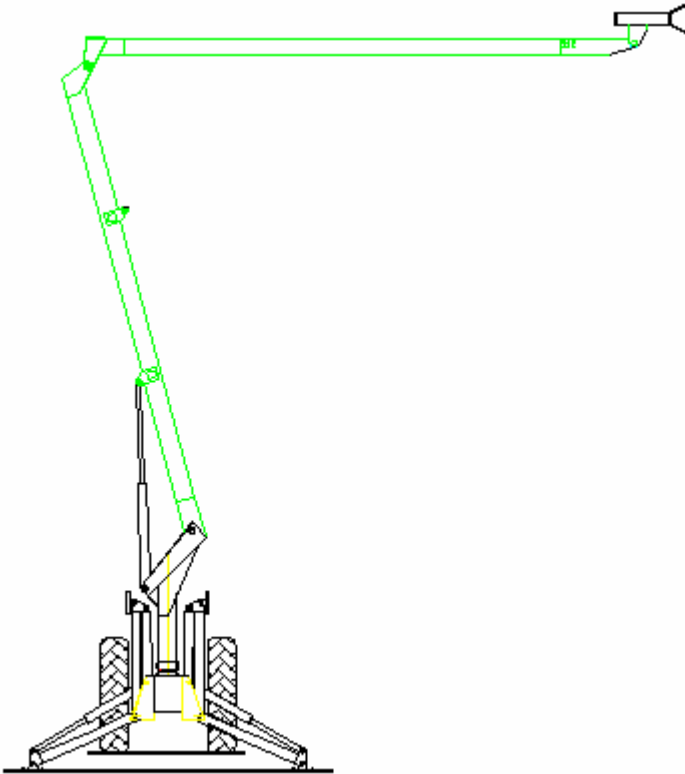
ITW



Standard Features:

- Power up to 90 HP.
- 4X4
- Articulated boom 15 m height
- Water tank up to 2 tons
- 360° horizontal rotation both sides
- Hydraulic stability outriggers
- A water level indicator with an over flow outlet.
- Diesel powered water pump (option)
- A level indicator with an over flow outlet.
- Sound and light alarm and a siren.
- Ground system
- High-pressure piston pump that work directly on the vehicle's engine.
- Water monitor with discontinuous discharge
- Cabinets with aluminum sliding doors on the vehicle sides.
- Hydraulic and water control panel
- Complete control of the vehicle from inside the cabin
- Lighting around the vehicle, the pump and the control panel.
- TV camera on top of the boom (option)

Model : ITW



- **The Pump:**

high-pressure plunger pump. Discharge rate up to 12 gallons/min, pressure up to 5000 PSI, powered by the vehicle's engine, and operated from inside the cabin, the pump is equipped with a sieve on the intake of the pump.

- **Articulated boom:**

manufactured from steel of rectangular cross sections, that can withstand large forces. It is installed on the chassis in such a way to give the driver clear vision while driving. The boom is lifted using dual action cylinders, which are equipped with counter balance safety valves. These safety valves prevent the boom from falling in case there is a failure in the hydraulic circuit.

- **Water tank:**

made out of galvanized steel or stainless steel up to 2 m³ with Water wave inhibitors to break the inertia forces on applying the brakes or severe turning. Internal and external reinforcement webs. The top of the tank can be completely removed for cleaning and annual maintenance

- **Water monitor:**

is installed at the end of the boom, and controlled from inside the cabin.

ELECTROLAB

Web Site: www.electrolabtrucks.com

Dallah building, 7 A Cornaish ELnil, Maadi, Cairo , Egypt

Tell ++(20)2 25285213/14/15/16

Fax ++25285212

zip code : 11431

Email: electrolab@electrolabtrucks.com