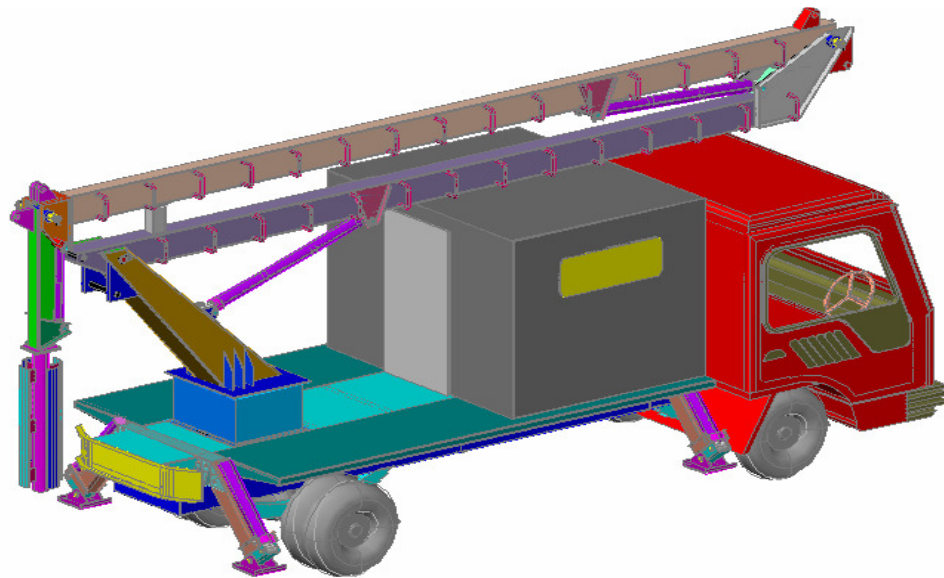


# Mobile repeater SeriesMR18



## **The MRS:**

is a mobile repeater shelter with a quick erected mast of height 18 m .  
it is complete with generator & airconditioning unit.

## **Application :**

Quick erected repeater used for police , GSM telephones , army ,  
contracting companies and all applications that requires quick installed  
repeaters.

## **Outriggers**

- 4 hydraulic stability outriggers
- Each outrigger operates individually.

## **Boom :**

- Articulating type which extends hydraulically through two double  
action hydraulic cylinders.
- Consists of three sections .
- The material of boom is adequate strengths

## **Control system :**

- at the base.

The vehicle is designed and manufactured .according to the ANSI 92.5

## **Hydraulic system**

- The hydraulic pump is operated via a P.T.O. from the vehicle's  
engine
- Hydraulic tank capacity: 60 lit equipped with a level indicator and  
strainer
- Hydraulic circuit is equipped with 10 micron hydraulic filter



## Hydraulic cylinders

- The hydraulic cylinders are of the double-acting type, designed and sized for the required working needs.

## Safety Features

- Balancing system based on 4 hydraulic heavy duty outriggers telescopic and tilted
  - Hydraulic Cylinder are equipped with counter valve .
  - Thermometer for the oil tank
  - Hand hydraulic pump to descent booms and retract outriggers in case of main pump failure.
  - Pressure switch with siren against over pressure.
  - Mechanical lock: After the mast is erected mechanical locks are inserted to ensure many days & monthes of stability without any fear of leakage of hydraulic oils .



## Optional Features at extra cost:

- Complete platform for the vehicle width 2m with sides.
- General safety stop push bottom for emergency.
- Alarm for wrong leveling of the platform over 5% .
- Warning light in truck cab showing the outriggers lowered.
- Safety valve to prevent outriggers retraction if boom are in working position .
- Side cabinets along the chassis for storage of spare parts
- 3 m non slip floor platform.
- Rotating flasher installed on the driver cab for voice alarms\*
- Light for night work
- Rear bumper for the vehicle.