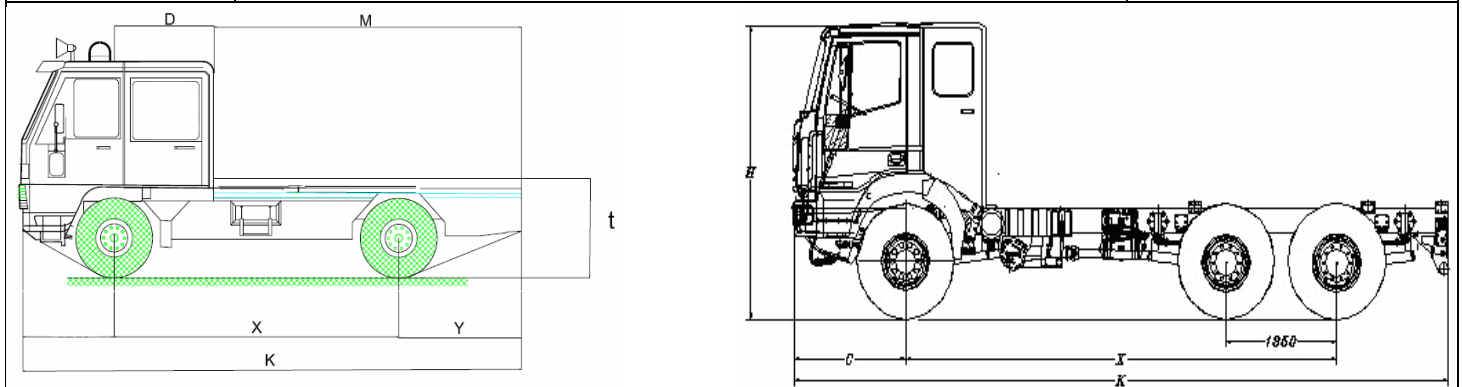


<b>TITAN</b>	<b>815</b>	<b>1218</b>	<b>1626</b>	<b>2030</b>	<b>3338</b>
<b>Drive</b>	4x2 (4x4 optional)				6X4 (6x6 & Tractor optional)



		<b>815</b>		<b>1218</b>		<b>1626</b>		<b>2030</b>		<b>3338</b>	
Wheelbase	X	3800	3300	3800	4200	3800	4200	3800	4200	3600 + 1350	4000 + 1350
Overall length	K	6995	5500	6000	6000	6000	6000	6000	6000	8000	
Overall height	H	2510		3000	3000	3200		3200		3200	
Rear overhang	Y	1699	800	1260		1699	1900	1260		1260	
ground clearance	L	258		268		298		258		298	
Turning radius.		7115	5500	7115	8077	7115	8077	7115	8077	9800	10800
Angle of approach	$\alpha^1$	25°		20°		20°	20°	20°		20°	
Angle of departure	$\alpha^2$	18°		15°		15°	15°	15°		42°	
<b>WEIGHTS</b>		<b>815</b>		<b>1218</b>		<b>1626</b>		<b>2030</b>		<b>3338</b>	
Max. permitted GVW		8500		12000		16000		20000		33000	
Max. permitted at Front		2500		4000		5500		7000		7000	
Max. permitted at Rear		6000		8000		11000		13000		2x13000	
Kerb weight of chassis		2700		3900		4000		5000		9000	
ENGINE: Cummins Euro 2		EQB 140-20		EQB 180-20		C 260-20		C 300-20		Steyr WD 12.336	
Aspiration :	Turbocharged & Air-Air Intercooler										
Emission Level :	EURO 2 standard EURO 3 option										
Diesel, Direct injection :	4 stroke										
Number of cylinders :	4 in line					6 in line					
Bore :	102 mm					102 mm		114 mm		126 mm	
Stroke :	120 mm					120 mm		135 mm		155 mm	
Total Displacement :	3.9 L		5.9 L		5.9 L		8.3 L		11.596L		
Max power @2400 RPM	(SAE) : 156		(DIN) : 180 HP		(DIN) : 250 HP		(DIN) : 300 HP		(DIN) : 400 HP		
Max torque RPM / MIN	(SAE): 502 N.m@1500		(DIN) : 610N.m@1500		(DIN) 800 N. m@ 1600 rpm		(DIN) : 1125 N.m@ 1200		(DIN) :19 00 N. m 1600		(DIN): 1350mm/ 1600
Air filter	Dry type with cleanable element										
Engine Idle	Speed 750±100r/min										
Max. speed	(km p h)100										
Max.gradeability	(restart %) 30									(restart %) 38	

	<b>815</b>	<b>1218</b>	<b>1626</b>	<b>2030</b>	<b>3338</b>
<b>CLUTCH</b>	350 mm dia.	350 mm dia.	350 mm dia.	420 mm dia.	430 mm dia.
	Non – asbestos single Plate, <b>SACHS</b> Dry type Diaphragm clutch, hydraulically actuate				Non – asbestos single Plate, France Valeo Dry type Diaphragm clutch, hydraulically actuate.
<b>GEAR BOX</b> fuller technology	Synchronesh Manual gear box				: 12 + 2 reverse : optional 16 + 2 reverse
	No. of speeds 5 + 1	No. of speeds 6 + 1	No. of speeds 6 + 1	No. of speeds 9 + 1 (12 speeds optional)	No. of speeds 12 + 2 16 speeds optional
<b>Steering:</b>	Dong Feng	Model: ZF8098, (Germany ZF, made in China) / Type: Steering with total power assisted / Max. Pressure of steering oil pump (kPa): 13000 / Steering oil: HVN32, 3.5L / Max: Pressure of steering-gear: 16mpa			
<b>Thickness longitudinal</b>	6.35	6mm + Angle 6mm	6mm + 2 Angle x 6mm	12 mm	12 mm
<b>Height longitudinal</b>	229	260	260	300	300
<b>Width of webs</b>	76	860			
<b>STEERING</b>	Power assisted steering				
<b>FRONT AXLE</b>	Forged, I section, Type <b>DANA</b>				6.5T Rigid Stub axle with double T-cross section
<b>REAR AXLE</b>	Fully floating, single speed, Hypoid Gear <b>DANA</b>		Fully floating, single speed, Hypoid Gear <b>STYER.</b>		Central two-level hub reduction 2x13t
<b>ABS</b>	<b>(WABCO ABS Optional)</b>				
<b>SUSPENSION</b>	Semi-elliptic multi leaf Shackle Ended				
<b>Shock absorbers</b>	Double acting, Hydraulic telescopic type.				
<b>WHEELS</b>	2 nos. in front and 4 nos. in rear. Rim Size B 7 / 20	2 nos. in front and 4 nos. in rear. Rim Size B 8.5 / 20			2 nos. in front and 8 nos. in rear. Rim Size B 8.5 / 20
<b>TYRES</b>	Size 9.00R20	Size 10.00 R20	Size 11.00 R20		Size 12.00 R20
<b>BRAKING SYSTEM</b>	Hydraulic dual circuit : (Optional) Full air pressure diaphragm operated on all wheels dual line circuit system	Service: Dual circuit compressed air. Parking: Spring energy compressed air. Auxiliary brake: Engine exhaust brake.			Service: Dual circuit compressed air. Extra Exhaust Brake MAN WEVB Tech.
<b>Brakes</b>	Pneumatically controlled on rear Wheels only. With <b>WABCO system</b> Extra Exhaust Brake				
<b>ELECTRICAL</b>					
<b>Type</b>	2 x 12 V negative earth				
<b>Battery</b>	90Amp. Hr.	150Amp. Hr. x 2		165Amp. Hr. x 2	
<b>Alternator max output</b>	500 W	1000W			
<b>Starter</b>	24V 4.5 kw	: 24V 5.4 kw			
<b>LIGHTING &amp; INDICATORS</b>	Head lamps, low beam, and high beam ,Direction indicators: front, side, rear , Rear lights: direction, tail stop, reverses ,Roof marker lights				
<b>Fuel Tank:</b>	100 liters	200 liters	300 liters alum.	400 liters aluminum	
	• Double fuel filter. Water separator. Jack, Tool set.				
<b>CAB</b>	All steel, short, forward control, manually tilt able , (1 <sup>st</sup> step 40°; 2 <sup>nd</sup> step 50°) torsion bar assisted , Cab suspension by 4 rubber bushes ,One piece, laminated windscreen ,Low positioned exterior door handles				
<b>Optional</b>	<b>Taco graph / Maximum Speed Limiter / 4 door cabinet</b>				
Electrolab has the right to continuously develop and improve its products and that requires changing specifications from time to time					

<b>ELECTROLAB</b> Dallah building, 7 A Cornaish ELnil, Maadi, Cairo , Egypt Zip code : 11431 Email: <a href="mailto:electrolab@electrolabtrucks.com">electrolab@electrolabtrucks.com</a>	Tel : ++ (20)2 25285213 (14) (15) (16)
	Fax ++ (20)2 25285212
	Web Site: <a href="http://www.electrolabtrucks.com">www.electrolabtrucks.com</a>