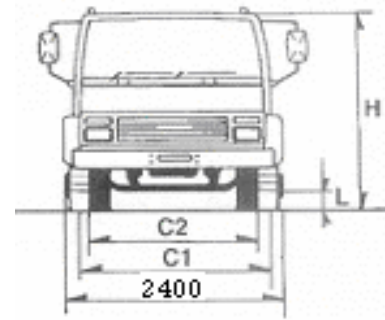
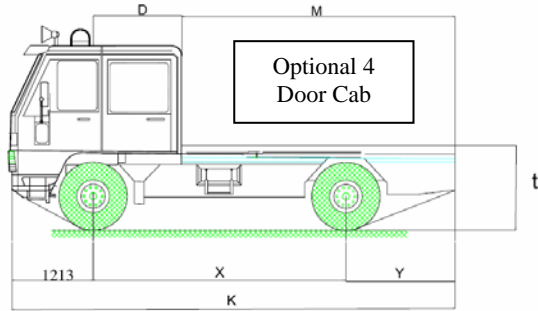


TITAN Light Truck

Series T815



DIMENSIONS (mm)

Wheelbase	X :	4400	3800	3300
Overall length	K :	6995	6995	5500
Overall height	H :	2510	2510	2510
Front track	C ₁ :	1770	1770	1770
Rear track	C ₂ :	1602	1602	1602
Rear overhang	Y :	1900	1699	800
Minimum ground clearance	L :	258	258	258
Turning circle radius.	:	8077	7115	5500
Angle of approach	∞ ¹ :	25°	25°	25°
Angle of departure	∞ ² :	18°	18°	18°

WEIGHTS (kg)

Max. permitted GVW	:	8500.
Max. permitted at Front	:	2500
Max. permitted at Rear	:	6000
Kerb weight of chassis	:	2700

ENGINE : Cummins EQB 140 – 20 (Euro2)

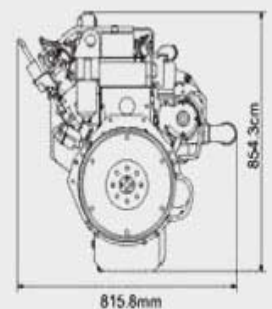
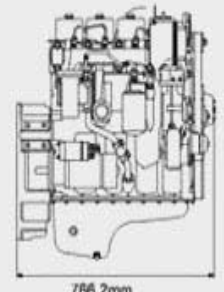
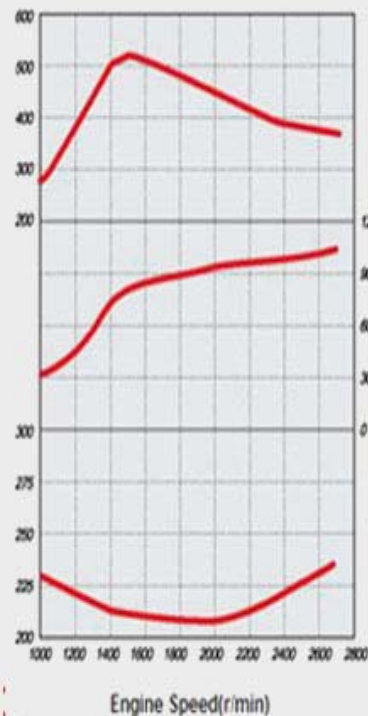
Aspiration :	Turbocharged & After cooled
Emission Level :	EURO 2 standard EURO 3 option
Diesel, Direct injection :	4 stroke
Number of cylinders :	4 in line
Bore :	102mm
Stroke :	120mm
Total Displacement :	3.9L
Max power output (SAE) :	156 HP at 2400 r.p.m
Max torque (SAE) :	502N.m@1500r/min
Air filter :	Dry type with cleanable element

Performance

Engine Idle Speed	750±100r/min
Max.powered speed (kmph)	100
Max.gradeability (restart %)	30
Maximum altitude for continuous operation	3000m




Power Curve



- Torque(N.m)
- Power(kW)
- BSFC(g/kWh)

TITAN 815

CLUTCH 350 mm dia. Non – asbestos single Plate, SACHS Dry type Diaphragm clutch, hydraulically actuate		LIGHTING AND INDICATORS Head lamps, low beam, and high beam Direction indicators: front, side, rear Rear lights: direction, tail stop, reverses Roof marker lights	
GEAR BOX Synchronesh Z6 - 6S-120 Manual gear box Fuller Technology : No. of speeds 5 + 1 reverse : 5.160,2.808,1.594,1.000,0.756,R5.406		SUNDRIES Pin type front vertical hook Spare wheel fitted with wheel carrier	
CHASSIS FRAME	: All steel – Ladder type	CAB All steel, short, forward control, manually tilt able (1 st step 40°; 2 nd step 50°) torsion bar assisted Cab suspension by 4 rubber bushes One piece, laminated windscreen Low positioned exterior door handles	
Dimensions (mm)			
Thickness longitudinal	: 6.35	Interior <ul style="list-style-type: none"> • Adjustable driver seat. • Driver & 2 seats • Safety belts • Manually operated wind-up windows • Fixed quarter vents • Kerb observation windows • Entry assist grab handle • Floor mat • Ceiling lamp • Sun visor • Glove compartment • Rear view mirror Exterior <ul style="list-style-type: none"> • Two electrically operated windscreen wipers • Front steel bumper • Access step • Mudguards and front grille • Radiator guard • External rearview mirrors • Front wind deflectors Instruments <ul style="list-style-type: none"> ✧ Fuel level indicator + warning light ✧ Engine coolant thermometer + warning light ✧ Speedometer with odometer ✧ Engine oil pressure gauge + warning light ✧ Brakes air pressure gauge ✧ Battery charge indicator ✧ Key type ignition switch ✧ Twin nozzle electric windscreen washer ✧ Optional 4 door cabinet Fuel system consisting of: <ul style="list-style-type: none"> • 120 lit fuel tank • Double fuel filter • Water separator • Jack, Tool set 	
Height longitudinal	: 229		
Width of webs	: 76		
STEERING	: Power assisted steering		
FRONT AXLE	: Forged, I section, Type DANA or STYER		
REAR AXLE	: Fully floating, single speed, Hypoid Gear DANA 60 SHO or STYER		
Axle ratio	: 1 : 5.286 ABS (Optional)		
SUSPENSION	: Semi-elliptic multi leaf Shackle Ended		
Shock absorbers	: double acting, Hydraulic telescopic type At front.		
WHEELS	: 2 nos. in front and 4 nos. in rear. Rim Size B 6.5 / 16		
TYRES	: Size 8.25 R16 14 PR		
BRAKING SYSTEM	: Hydraulic dual circuit : (Optional) Full air pressure diaphragm operated on all wheels dual line circuit system		
Parking	: Pneumatically controlled on rear Wheels only. With Wabco ABS system : Extra Exhaust Brake & Auto Slack		
ELECTRICAL SYSTEM		Electrolab has the right to continuously develop and improve its products, and that requires changing specifications from time to time.	
Type	: 24 V negative earth		
Battery	: 90Amp. Hr. (20 Hr. rating)		
Alternator max output	: 55Amps		
Starter	: 24V 4.5 kw		
			

ELECTROLAB

Dallah building, 7 A Cornaish ELnil, Maadi, Cairo , Egypt Zip code : 11431
 Email: electrolab@electrolabtrucks.com

Tel : ++ (20)2 25285213 (14) (15) (16)

Fax ++ (20)2 25285212

Web Site: www.electrolabtrucks.com