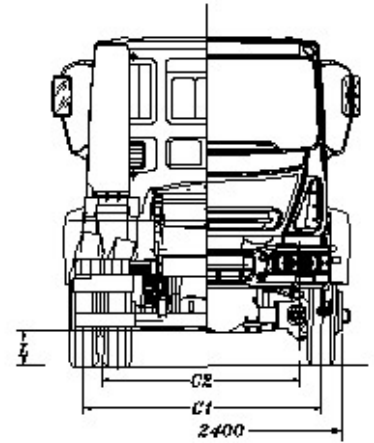
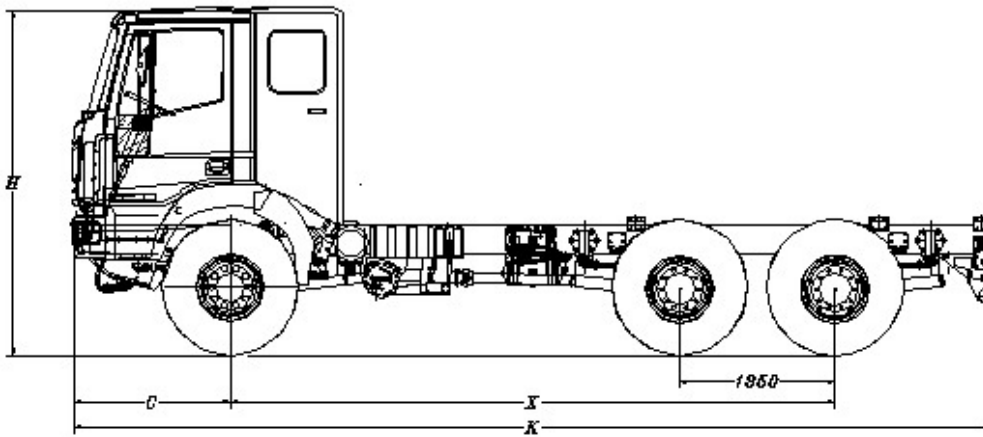


TITAN Heavy Duty 6x4 Truck

Series T3338



DIMENSIONS (mm)

Wheelbase	X :	4000 + 1350	3600 + 1350
Overall length	K :	8000	8000
Overall height	H :	3200	3200
Front track	C ₁ :	1900	1900
Rear track	C ₂ :	1860	1860
	C :	1380	1380
Rear overhang	Y :	1260	1260
Minimum ground clearance	L :	298	298
Turning circle radius.		10800	9800
Angle of approach	α ¹ :	20°	20°
Angle of departure	α ² :	42°	42°

WEIGHTS (kg)

Max. permitted GVW	:	33000
Max. permitted at Front	:	7000
Max. permitted at Rear	:	2x13000
Kerb weight of chassis	:	9000

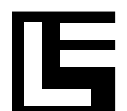
ENGINE : Steyr WD 12.336 (Euro2)

Injection pump: DHT6P120R BOSCH TECH


Turbocharged - Intercooler	
Emission Level : EURO 2 standard EURO 3 option	
Diesel, Direct injection	: 4 stroke
Number of cylinders	: 6 in line
Bore	mm : 126
Stroke	mm : 155
Total Displacement	Cm ³ 11.596L
Max power output (DIN) : 400 HP at 2400 r.p.m	
Max torque (SAE) : 1900 N.m at 1600rpm	
Air filter : Dry type with cleanable element	

Performance

Max.powered speed (kmph)	100
Max.powered speed (kmph)	100
Max.gradeability (restart %)	38
Max.gradeability (restart %)	38



TITAN 3338

<p>CLUTCH 430 mm dia. Non – asbestos single Plate, France Valeo Dry type Diaphragm clutch, hydraulically actuate</p>	<p>LIGHTING AND INDICATORS Head lamps, low beam, and high beam Direction indicators: front, side, rear Rear lights: direction, tail stop, reverses Roof marker lights</p>
<p>GEAR BOX Synchronmesh Manual gear box Fuller Technology : No. of speeds 12 + 2 reverse : 8.29; 6.08; 4.53; 3.36; 2.47; 1.18; 1.35; 1.00; 12.99 (r)</p>	<p>CAB All steel, short, forward control, manually tilt able (1st step 40°; 2nd step 50°) torsion bar assisted Cab suspension by 4 rubber bushes One piece, laminated windscreen Low positioned exterior door handles</p>
<p>CHASSIS FRAME :All steel – Ladder type</p>	<p>Interior</p> <ul style="list-style-type: none"> • Adjustable driver seat. • Driver & 2 seats total 3 persons. • Safety belts. • Manually operated wind-up windows • Ceiling lamp • Sun visor • Rear view mirror
<p>Dimensions (mm)</p>	<p>Exterior</p> <ul style="list-style-type: none"> • Two electrically operated windscreen wipers • Front steel bumper • External rearview mirrors • Front wind deflectors
<p>Thickness longitudinal : 12 mm</p>	<p>Instruments</p>
<p>Height longitudinal : 300</p>	<ul style="list-style-type: none"> ⊛ Fuel level indicator + warning light ⊛ Engine coolant thermometer + warning light ⊛ Speedometer with odometer ⊛ Engine oil pressure gauge + warning light ⊛ Brakes air pressure gauge ⊛ Battery charge indicator ⊛ Key type ignition switch ⊛ Twin nozzle electric windscreen washer ⊛ Optional Taco graph ⊛ Optional Maximum Speed Limiter ⊛ Optional 4 door cabinet
<p>Width of webs : 850</p>	<p>Steering System:</p>
<p>STEERING : Power assisted steering</p>	<ul style="list-style-type: none"> • Model: ZF8098, (Germany ZF ,made in China) • Type: Steering with total power assisted • Ratio: 23:1 • Max. Pressure of steering oil pump (kPa): 13000 • Steering oil: HVN32, 3.5L • Max: Pressure of steering-gear:16mpa • Max. flow of steering-gear:20L/m
<p>FRONT AXLE STEYR : 6.5T Rigid Stub axle with double T-cross section</p>	<p>Fuel system consisting of:</p> <ul style="list-style-type: none"> • 400 lit fuel tank • Double fuel filter • Water separator • Jack, Tool set
<p>REAR AXLE STEYR : Central two-level hub reduction 2x13t</p>	<p>Electrolab has the right to continuously develop and improve its products, and that requires changing specifications from time to time.</p>
<p>Axle ratio : 1 : 5.73 ABS (Optional)</p>	
<p>SUSPENSION :Semi-elliptic multi leaf Shackle Ended</p>	
<p>Shock absorbers : double acting, Hydraulic telescopic type At front.</p>	
<p>WHEELS : 2 nos. in front and 4 nos. in rear. Rim Size B 8.5 / 20</p>	
<p>TYRES : Size 12.00 R20</p>	
<p>BRAKING SYSTEM .. ABS Service: Dual circuit compressed air. Extra Exhaust Brake MAN WEVB Tech.</p>	
<p>Parking : Spring energy compressed air brake.</p>	
<p>ELECTRICAL SYSTEM</p>	
<p>Type : 24 V negative earth</p>	
<p>Battery : 165Amp. Hr. x 2</p>	
<p>Alternator max output : 1000W</p>	
<p>Starter : 24V 5.4 kw</p>	
	

<p>ELECTROLAB Dallah building, 7 A Cornaish ELnil, Maadi, Cairo , Egypt Zip code : 11431 Email: electrolab@electrolabtrucks.com</p>	<p>Tel : ++ (20)2 25285213 (14) (15) (16) Fax ++ (20)2 25285212 Web Site: www.electrolabtrucks.com</p>
---	--