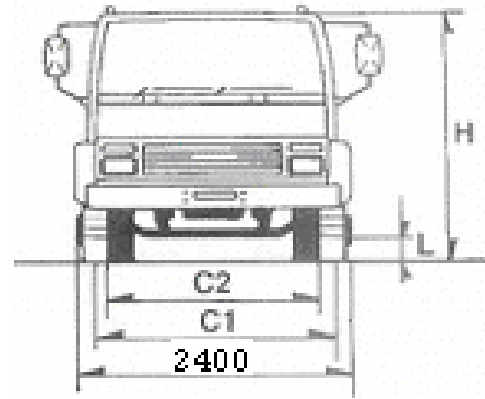


# TITAN Heavy Duty 6x4 Tractor

# Series T3338



### DIMENSIONS (mm)

Wheelbase	X :	3600 + 1350
Overall length	K :	6000
Overall height	H :	3200
Front track	C <sub>1</sub> :	1900
Rear track	C <sub>2</sub> :	1860
Rear overhang	Y :	1260
Minimum ground clearance	L :	298
Turning circle radius.	:	9800
Angle of approach	∞ <sup>1</sup> :	20°
Angle of departure	∞ <sup>2</sup> :	42°

### WEIGHTS (kg)

Max. permitted GVW	:	33000
Max. permitted at Front	:	7000
Max. permitted at Rear	:	2x13000
Kerb weight of chassis	:	9000

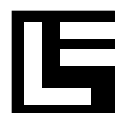
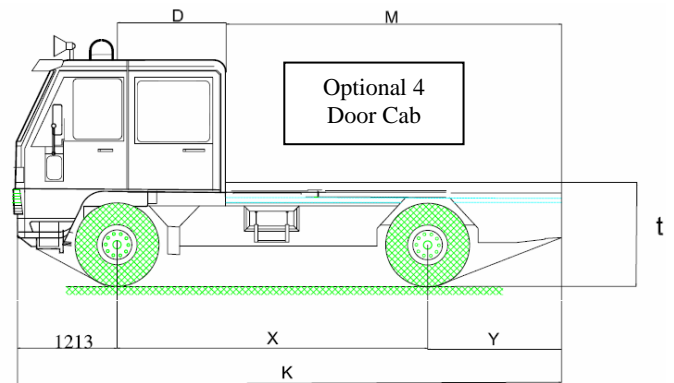
### ENGINE : Steyr WD 12.336 (Euro2)

Injection pump: DHT6P120R BOSCH TECH


Turbocharged	
Emission Level : EURO 2 standard EURO 3 option	
Diesel, Direct injection	: 4 stroke
Number of cylinders	: 4 in line
Bore	mm : 126
Stroke	mm : 155
Total Displacement	Cm <sup>3</sup> 11.596L
Max power output (DIN) : 400 HP at 2400 r.p.m	
Max torque (SAE) : 1350mm at 1600rpm	
Air filter : Dry type with cleanable element	

### Performance

Max.powered seed (kmph)	100
Max.powered seed (kmph)	100
Max.gradeability (restart %)	38
Max.gradeability (restart %)	38



# TITAN 3338

<b>CLUTCH</b> 430 mm dia. Non – asbestos single Plate, France Valeo Dry type Diaphragm clutch, hydraulically actuate		<b>LIGHTING AND INDICATORS</b> Head lamps, low beam, and high beam Direction indicators: front, side, rear Rear lights: direction, tail stop, reverses Roof marker lights	
<b>GEAR BOX</b> Synchronmesh Manual gear box <b>Fuller</b> Technology : No. of speeds 16 + 2 reverse		<b>CAB</b> All steel, short, forward control, manually tilt able (1 <sup>st</sup> step 40°; 2 <sup>nd</sup> step 50°) torsion bar assisted Cab suspension by 4 rubber bushes One piece, laminated windscreen Low positioned exterior door handles	
<b>CHASSIS FRAME</b>	:All steel – Ladder type	<b>Interior</b> <ul style="list-style-type: none"> <li>Adjustable driver seat.</li> <li>Driver &amp; 2 seats total 3 persons.</li> <li>Safety belts</li> <li>Manually operated wind-up windows</li> <li>Ceiling lamp</li> <li>Sun visor</li> <li>Rear view mirror</li> </ul> <b>Exterior</b> <ul style="list-style-type: none"> <li>Two electrically operated windscreen wipers</li> <li>Front steel bumper</li> <li>External rearview mirrors</li> <li>Front wind deflectors</li> </ul> <b>Instruments</b> <ul style="list-style-type: none"> <li>⊛ Fuel level indicator + warning light</li> <li>⊛ Engine coolant thermometer + warning light</li> <li>⊛ Speedometer with odometer</li> <li>⊛ Engine oil pressure gauge + warning light</li> <li>⊛ Brakes air pressure gauge</li> <li>⊛ Battery charge indicator</li> <li>⊛ Key type ignition switch</li> <li>⊛ Twin nozzle electric windscreen washer</li> <li>⊛ <b>Optional Taco graph</b></li> <li>⊛ <b>Optional Maximum Speed Limiter</b></li> <li>⊛ <b>Optional 4 door cabinet</b></li> </ul> <b>Steering System:</b> <ul style="list-style-type: none"> <li>Model: ZF8098, (Germany ZF ,made in China)</li> <li>Type: Steering with total power assisted</li> <li>Ratio: 23:1</li> <li>Max. Pressure of steering oil pump (kPa): 13000</li> <li>Steering oil: HVN32, 3.5L</li> <li>Max: Pressure of steering-gear:16mpa</li> <li>Max. flow of steering-gear:20L/m</li> </ul> <b>Fuel system consisting of:</b> <ul style="list-style-type: none"> <li>400 lit fuel tank</li> <li>Double fuel filter</li> <li>Water separator</li> <li>Jack, Tool set</li> </ul> <p>Electrolab has the right to continuously develop and improve its products, and that requires changing specifications from time to time.</p>	
<b>Dimensions (mm)</b>			
<b>Thickness longitudinal</b>	: 12 mm		
<b>Height longitudinal</b>	: 300		
<b>Width of webs</b>	: 860		
<b>STEERING</b>	: Power assisted steering		
<b>FRONT AXLE STEYR</b>	: 6.5T Rigid Stub axle with double T-cross section		
<b>REAR AXLE STEYR</b>	: Central two-level hub reduction 2x13t		
<b>Axle ratio</b>	: 1 : 5.73 <b>ABS (Optional)</b>		
<b>SUSPENSION</b>	:Semi-elliptic multi leaf Shackle Ended		
<b>Shock absorbers</b>	: double acting, Hydraulic telescopic type At front.		
<b>WHEELS</b>	: 2 nos. in front and 4 nos. in rear. Rim Size B 8.5 / 20		
<b>TYRES</b>	: Size 12.00 R20		
<b>BRAKING SYSTEM .. ABS</b>	Service: Dual circuit compressed air. Extra Exhaust Brake MAN WEVB Tech.		
<b>Parking</b>	: Spring energy compressed air brake.		
<b>ELECTRICAL SYSTEM</b>			
<b>Type</b>	: 24 V negative earth		
<b>Battery</b>	: 165Amp. Hr. x 2		
<b>Alternator max output</b>	: 1000W		
<b>Starter</b>	: 24V 5.4 kw		
			

## ELECTROLAB

Dallah building, 7 A Cornaish ELnil, Maadi, Cairo , Egypt Zip code : 11431  
 Email: [electrolab@electrolabtrucks.com](mailto:electrolab@electrolabtrucks.com)

Tel : ++ (20)2 25285213 (14) (15) (16)

Fax ++ (20)2 25285212

Web Site: [www.electrolabtrucks.com](http://www.electrolabtrucks.com)