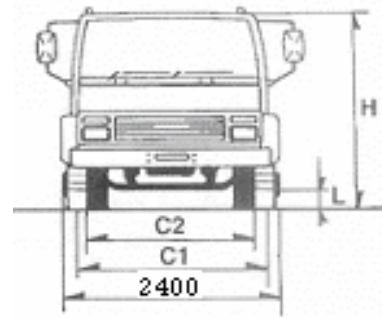
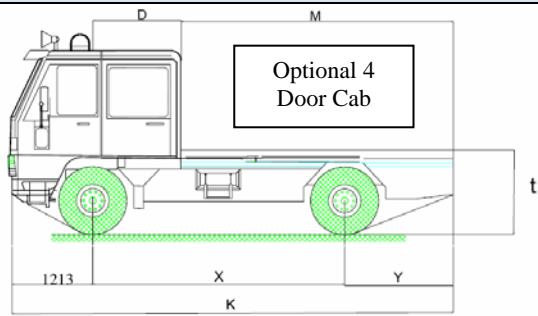


TITAN Medium Duty Truck

Series T2030



DIMENSIONS (mm)

Wheelbase	X :	4200	3800
Overall length	K :	6000	6000
Overall height	H :	3200	3200
Front track	C ₁ :	1900	1900
Rear track	C ₂ :	1860	1860
Rear overhang	Y :	1260	1260
Minimum ground clearance	L :	258	258
Turning circle radius.	:	8077	7115
Angle of approach	α^1 :	20 ⁰	20 ⁰
Angle of departure	α^2 :	15 ⁰	15 ⁰

WEIGHTS (kg)

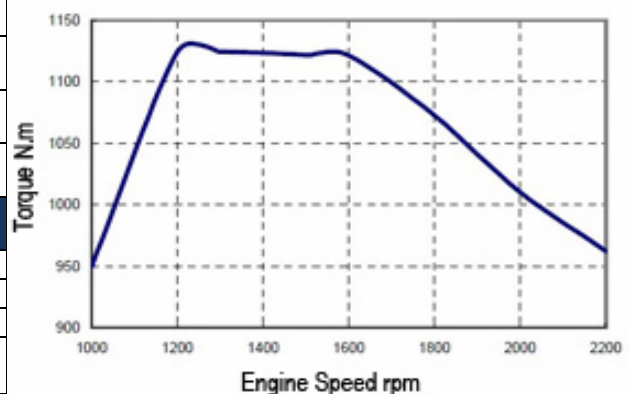
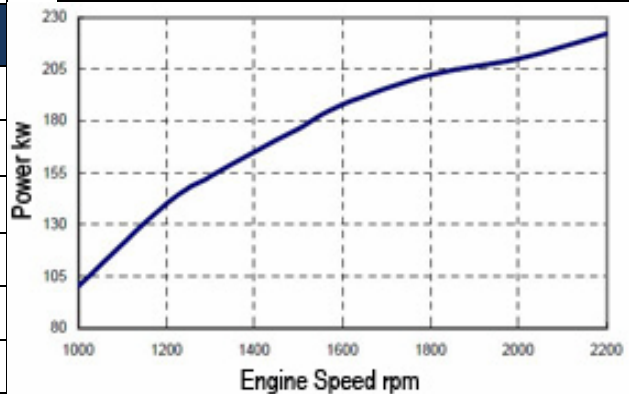
Max. permitted GVW	:	20000
Max. permitted at Front	:	7000
Max. permitted at Rear	:	13000
Kerb weight of chassis	:	5000

ENGINE : Cummins C 300 – 20 (Euro2)


Aspiration :	Turbocharged & Air-Air Intercooled
Emission Level :	EURO 2 standard EURO 3 option
Diesel, Direct injection	: 4 stroke
Number of cylinders	: 6 in line
Bore	114 mm
Stroke	135 mm
Total Displacement	8.3 L
Max power output (DIN) :	300 HP at 2400 r.p.m
Max torque (SAE) :	1125 N.m@ 1200 rpm
Air filter :	Dry type with cleanable element

Performance

Engine Idling Speed	750±100 rpm
Max.powered speed (kmph)	100
Max.gradeability (restart %)	30
Maximum Altitude Limit Restriction on Continuous Running	2000 m



TITAN 2030

CLUTCH 420 mm dia. Non – asbestos single Plate, SACHS Dry type Diaphragm clutch, hydraulically actuate		LIGHTING AND INDICATORS Head lamps, low beam, and high beam Direction indicators: front, side, rear Rear lights: direction, tail stop, reverses Roof marker lights	
GEAR BOX Synchronesh Manual gear box Fuller Technology : No. of speeds 9 + 1 reverse : 12.42; 8.26; 6.08; 4.53; 3.36; 2.47; 1.81; 1.35; 1.00 12.99 (r) :Optional (7,12 speeds available)		SUNDRIES Pin type front vertical hook Spare wheel fitted with wheel carrier	
CHASSIS FRAME :All steel – Ladder type		CAB All steel, short, forward control, manually tilt able (1 st step 40°; 2 nd step 50°) torsion bar assisted Cab suspension by 4 rubber bushes One piece, laminated windscreen Low positioned exterior door handles	
Dimensions (mm)		Interior <ul style="list-style-type: none"> Adjustable driver seat. Driver & 2 seats total 3 persons. Safety belts Manually operated wind-up windows Fixed quarter vents Kerb observation windows Entry assist grab handle Floor mat Ceiling lamp Sun visor Glove compartment Rear view mirror Exterior <ul style="list-style-type: none"> Two electrically operated windscreen wipers Front steel bumper Access step Mudguards and front grille Radiator guard External rearview mirrors Front wind deflectors Instruments <ul style="list-style-type: none"> ⊛ Fuel level indicator + warning light ⊛ Engine coolant thermometer + warning light ⊛ Speedometer with odometer ⊛ Engine oil pressure gauge + warning light ⊛ Brakes air pressure gauge ⊛ Battery charge indicator ⊛ Key type ignition switch ⊛ Twin nozzle electric windscreen washer ⊛ Optional Taco graph ⊛ Optional Maximum Speed Limiter ⊛ Optional 4 door cabinet	
Thickness longitudinal : 12 mm			
Height longitudinal : 300			
Width of webs : 860			
STEERING : Power assisted steering			
FRONT AXLE : Forged, I section, Type DANA or STYER			
REAR AXLE : Fully floating, single speed, Hypoid Gear DANA or STYER .			
Axle ratio : 1 : 5.73 ABS (Optional)			
SUSPENSION :Semi-elliptic multi leaf Shackle Ended			
Shock absorbers : double acting, Hydraulic telescopic type At front and rear.			
WHEELS : 2 nos. in front and 4 nos. in rear. Rim Size B 8.5 / 20			
TYRES : Size 11.00 R20			
BRAKING SYSTEM WABCO.... ABS Service: Dual circuit compressed air. Parking: Spring energy compressed air. Auxiliary brake: Engine exhaust brake.			
Parking : Pneumatically controlled on rear Wheels only. With WABCO ABS : Extra Exhaust Brake & Auto Slack			
ELECTRICAL SYSTEM			
Type : 24 V negative earth			
Battery : 150Amp. Hr. x 2			
Alternator max output : 1000W			
Starter : 24V 5.4 kw			
		Fuel system consisting of: <ul style="list-style-type: none"> 212 lit fuel tank Double fuel filter Water separator Jack, Tool set 	
Electrolab has the right to continuously develop and improve its products, and that requires changing specifications from time to time.			

ELECTROLAB

Dallah building, 7 A Cornaish ELnil, Maadi, Cairo , Egypt Zip code : 11431
 Email: electrolab@electrolabtrucks.com

Tel : ++ (20)2 25285213 (14) (15) (16)

Fax ++ (20)2 25285212

Web Site: www.electrolabtrucks.com